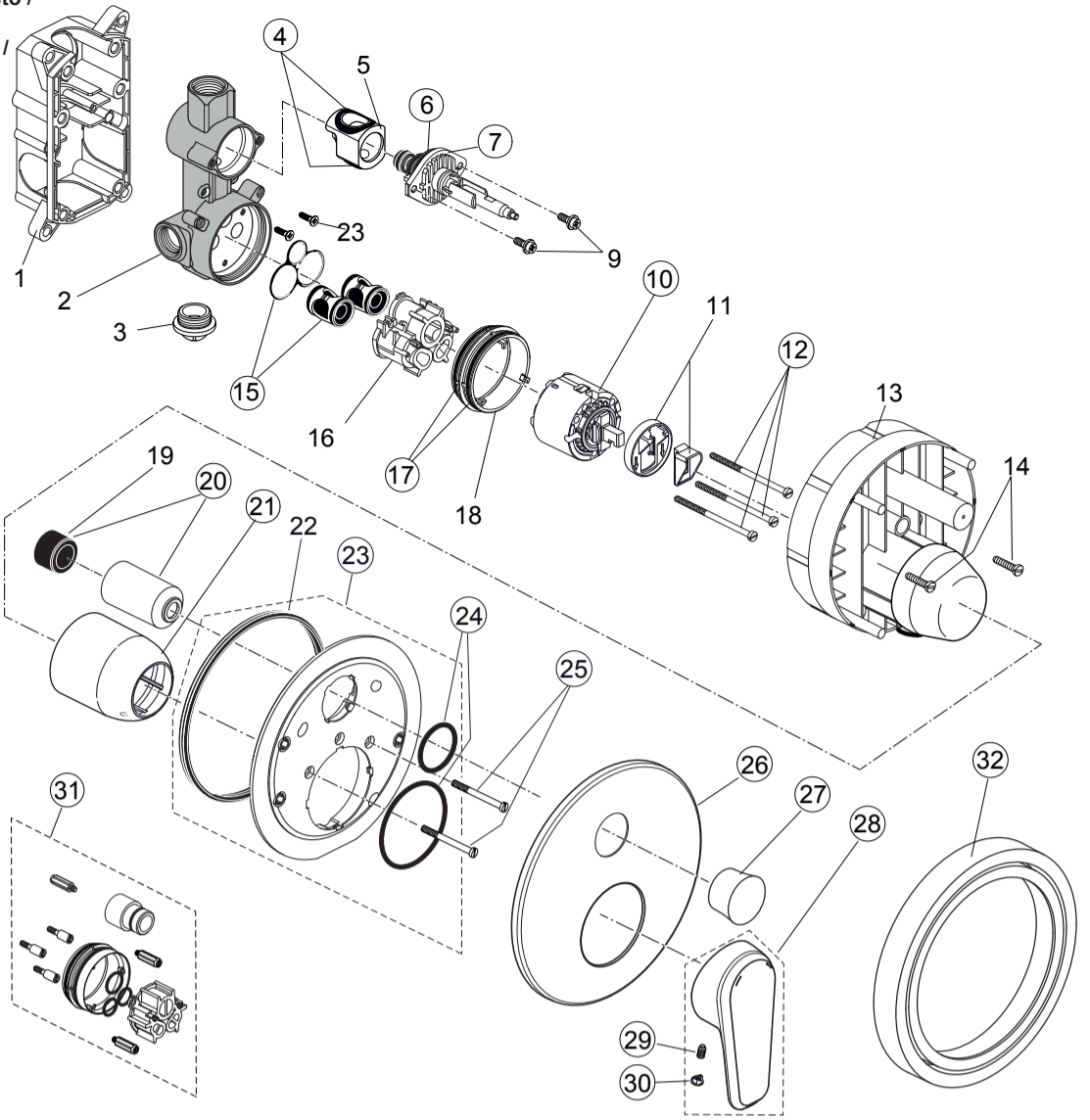
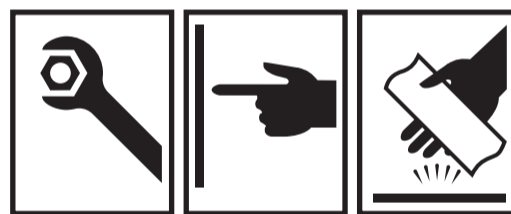
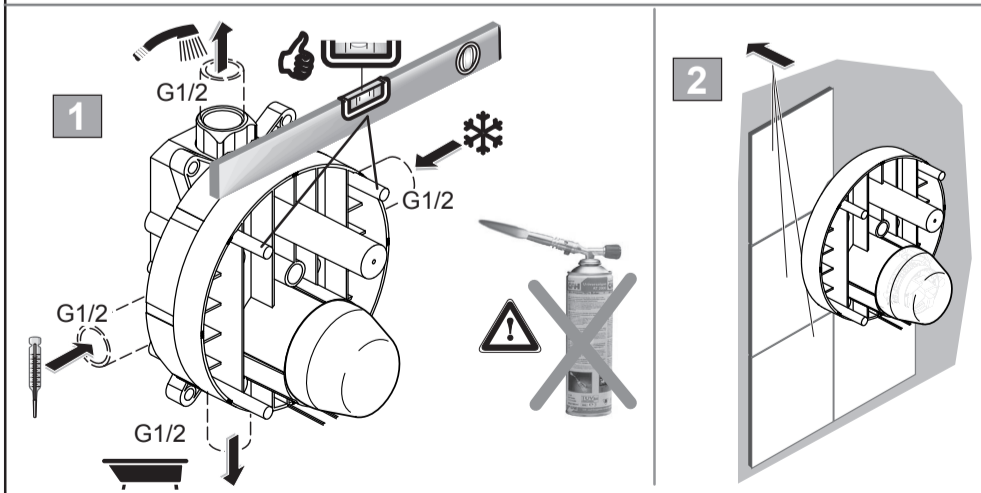
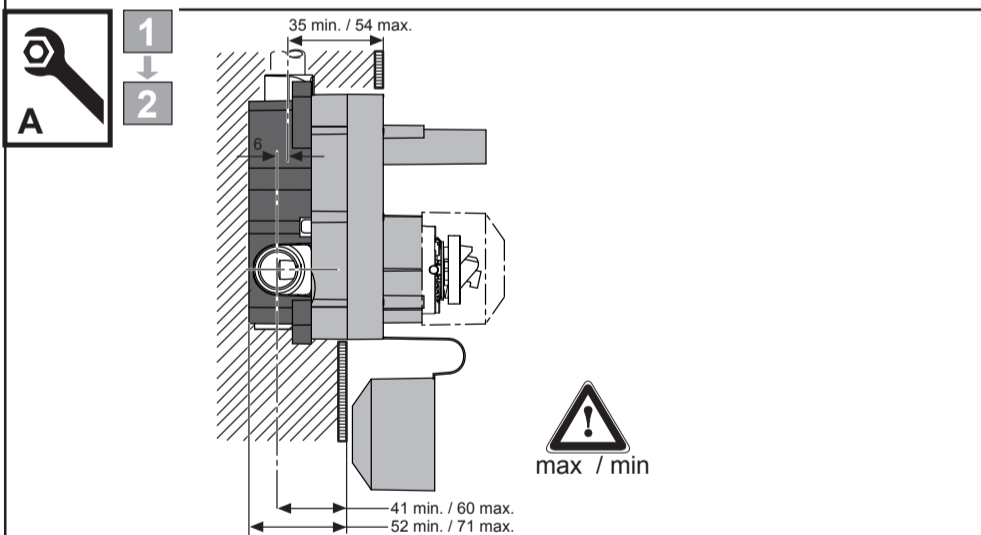
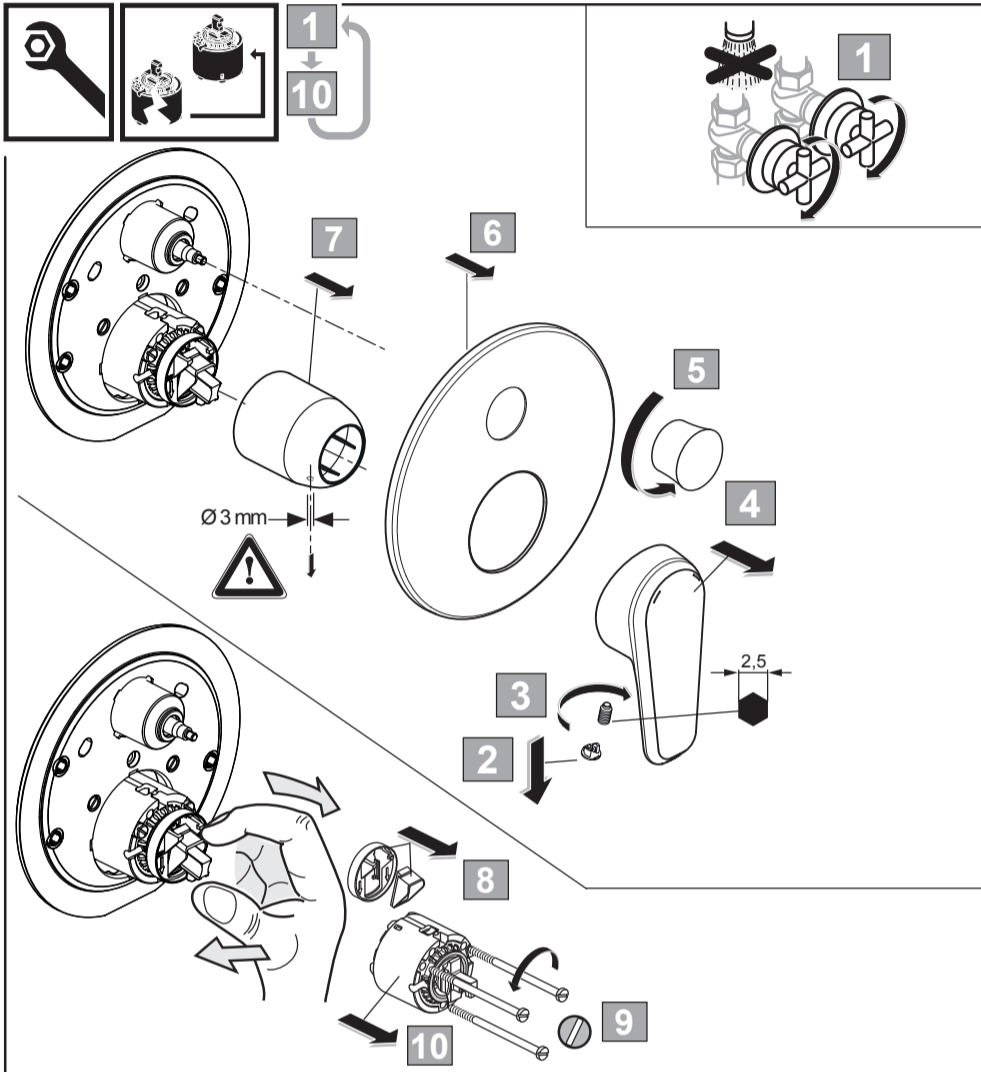




Spare Parts / Ersatzteile / Pièces de recharge / Pezzi di Ricambio / Piezas de requesto /
 Parte de reposição / Reserveonderdelen / Reservdelar / Reservdeler / Varaosat /
 Vraosat / Varahlutir / Ανταλλακτικά / Yedek Parçalar / Náhradní díly / Náhradné diely /
 Nadomestni deli / Резервни части / Запчасти / Części Zapasowe / Piese de schimb
 / Rendelhető alkatrészek / Зпасні частини / Reservni delovi / Резервни делови /
 Резервни делови / Atsarginių dalių / Tellitavad varuosad / Rezervju daļu



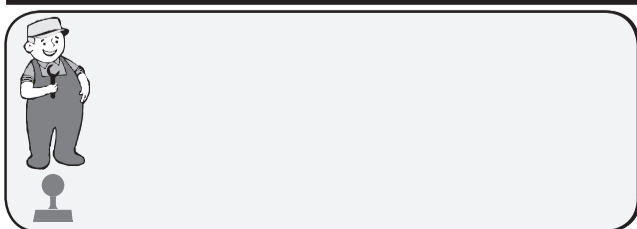
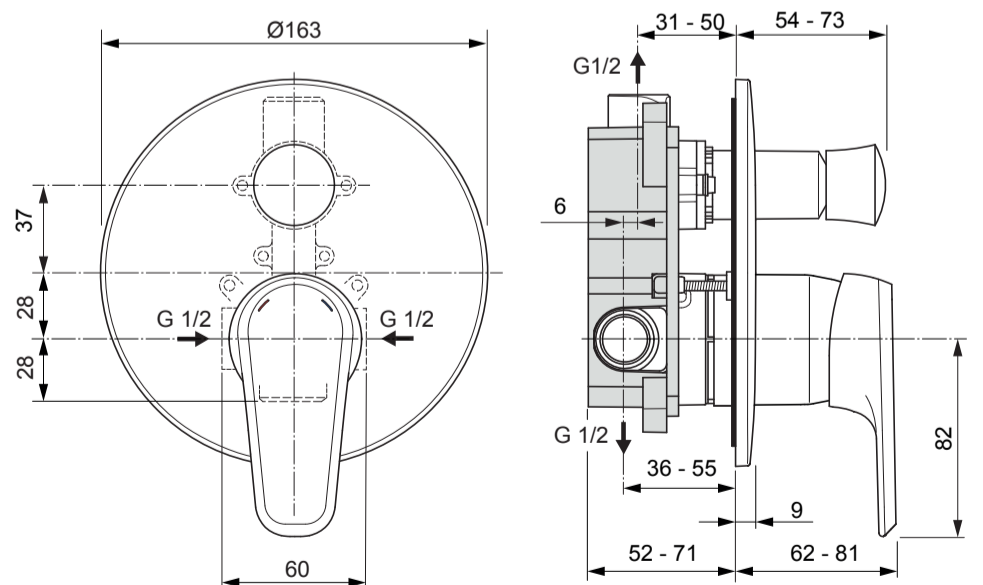
| | | | |
|------|--------------|----|--------------|
| Pos. | Part No. | 23 | A 860 899 NU |
| 4 | A 963 523 NU | 24 | A 961 649 NU |
| 6 | A 963 925 NU | 25 | A 963 176 NU |
| 7 | A 963 952 NU | 26 | A 860 945 AA |
| 10 | A 960 500 NU | 27 | A 860 944 AA |
| 12 | A 963 783 NU | 28 | A 861 282 AA |
| 15 | A 963 954 NU | 29 | A 963 309 NU |
| 17 | A 963 526 NU | 30 | B 960 473 AA |
| 20 | A 860 902 AA | 31 | A 6680 AA |
| 21 | A 963 571 AA | 32 | A 6677 AA |



Vidima®

SEVA L
A 6999 ..

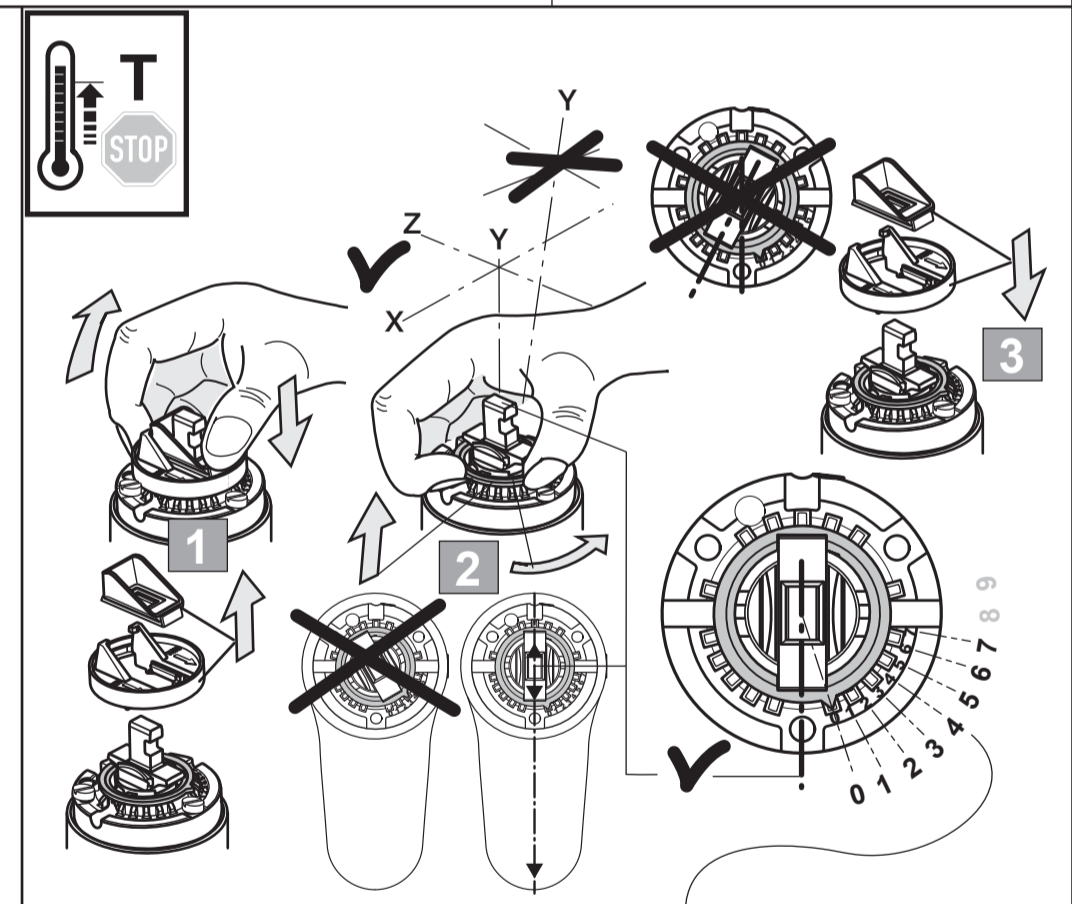
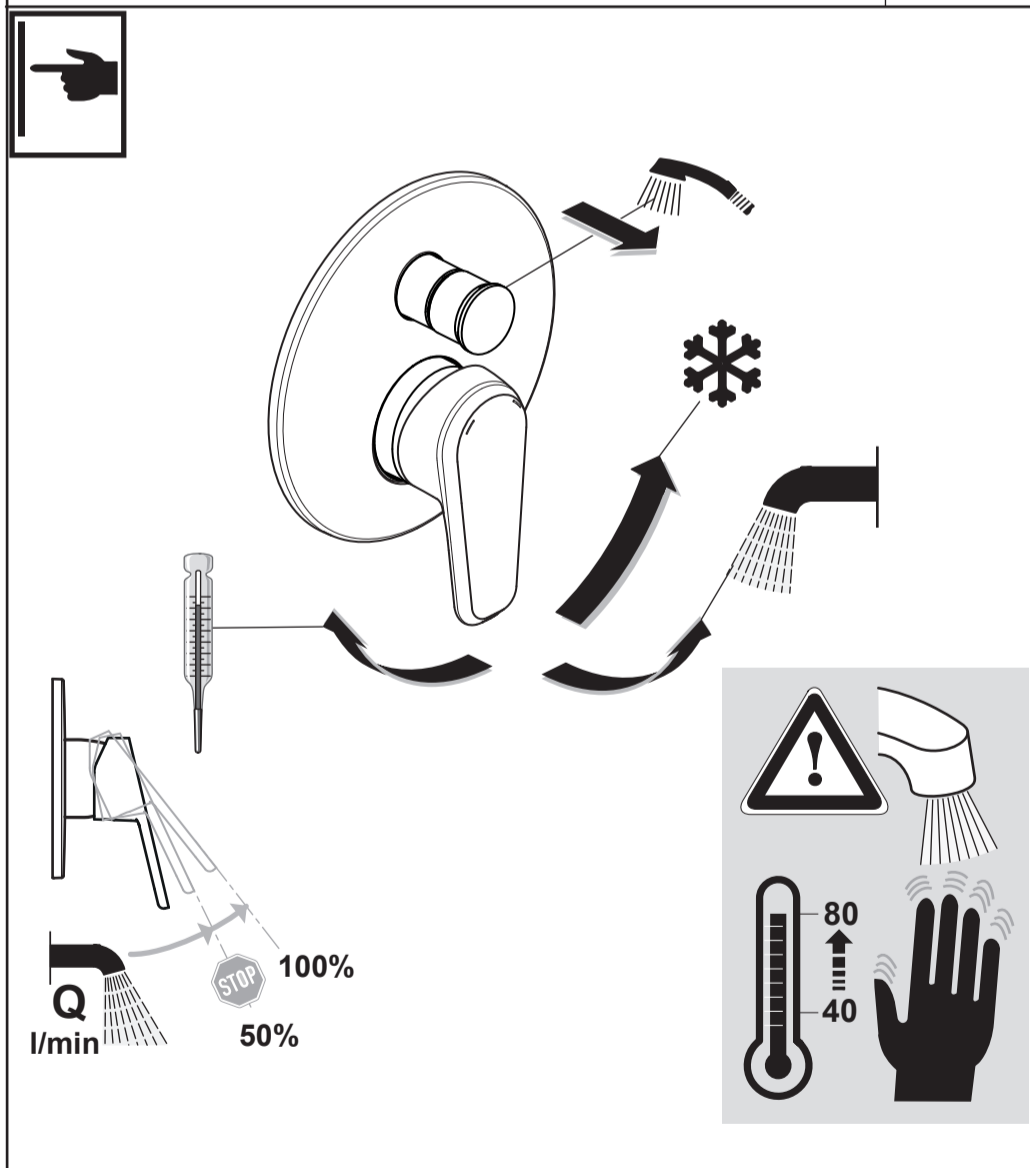
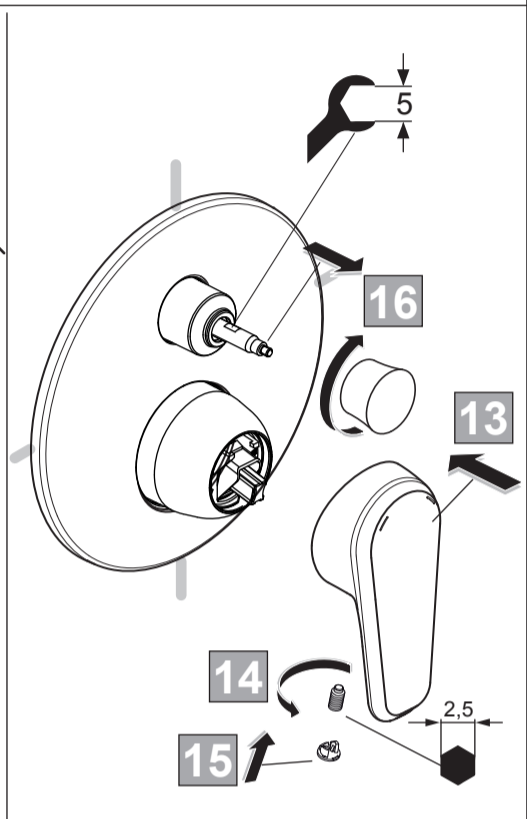
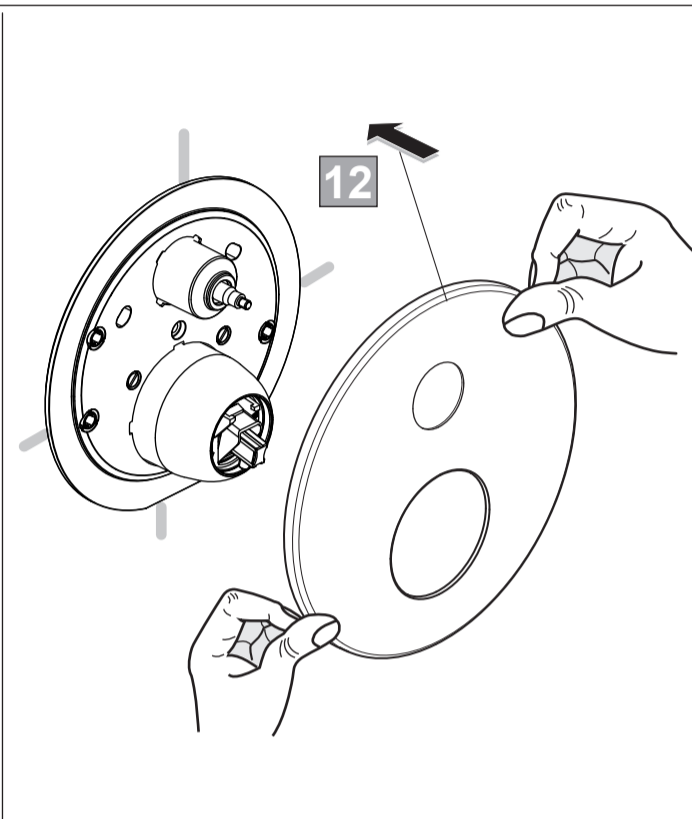
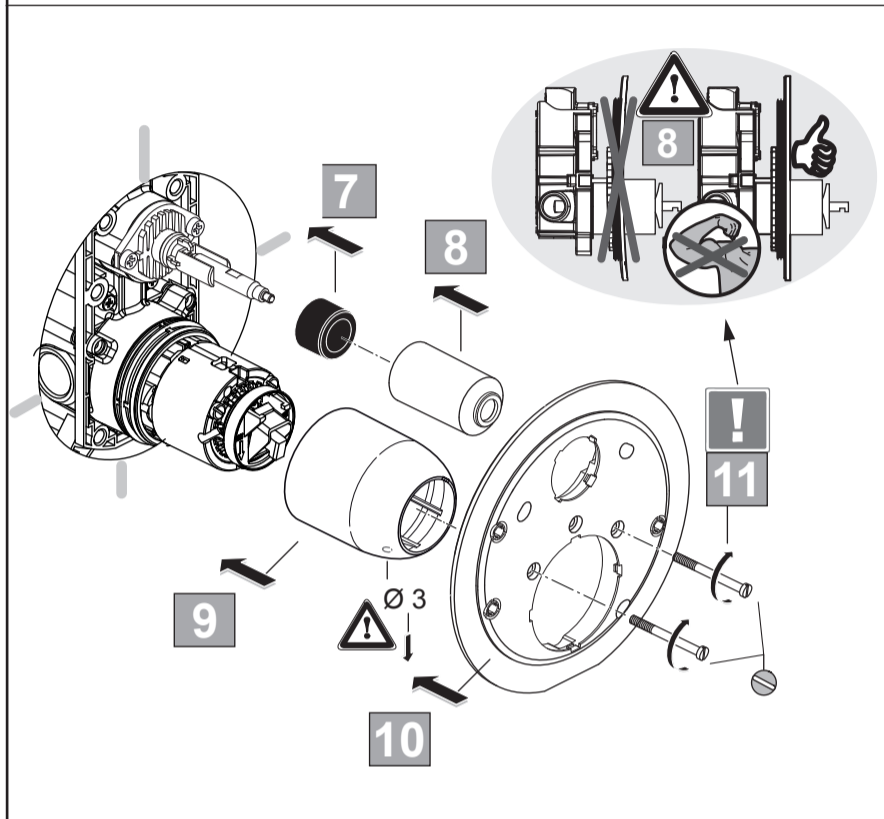
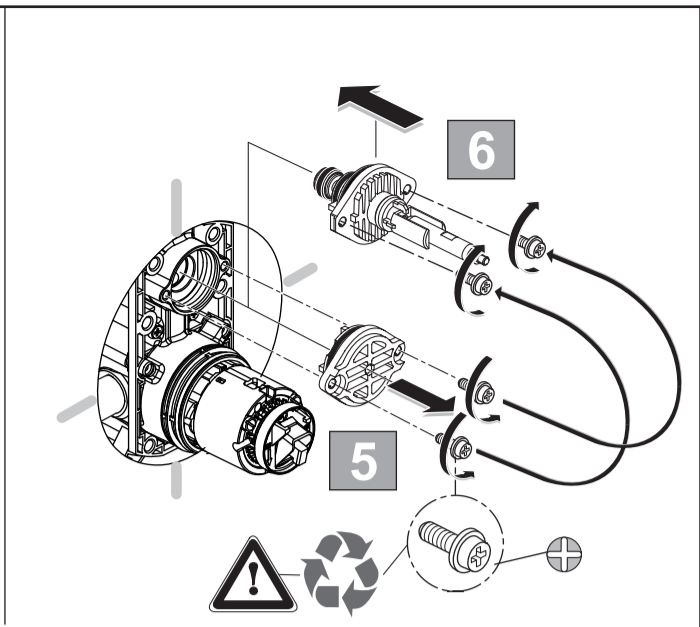
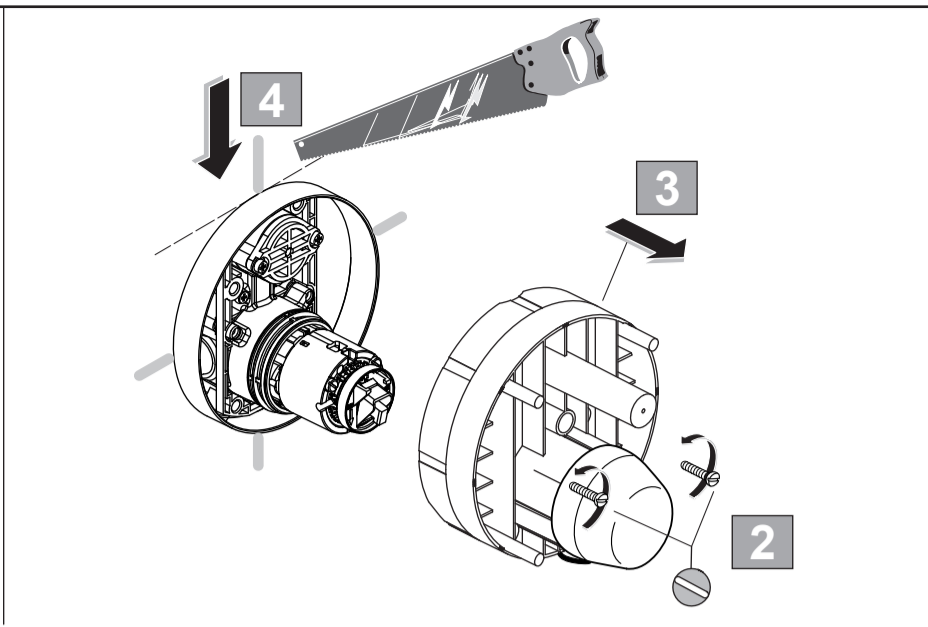
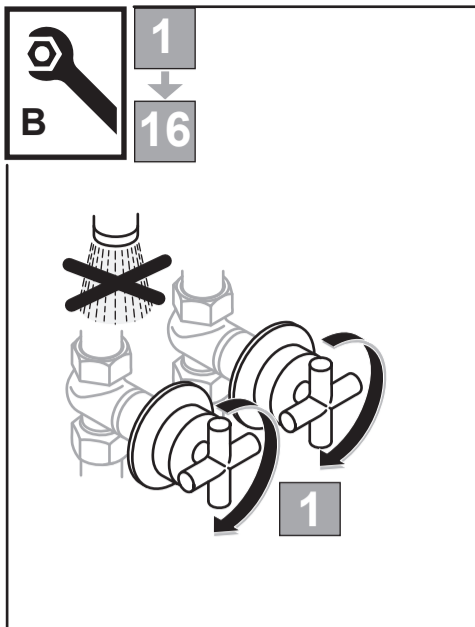
0118 / A 868 415
 (+ B 965 902)
 Made in Germany



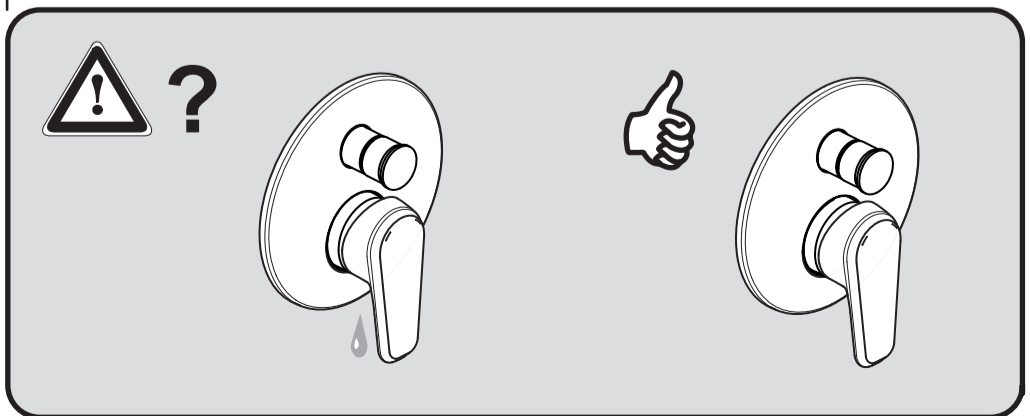
Ideal Standard International NV
 Corporate Village - Gent Building
 Da Vincilaan 2
 1935 Zaventem
 Belgium

www.idealstandardinternational.com





| Pressure 0,3 MPa 3 bar | Temperature 50°C | Temperature 16°C | 0 | 1 | 2 | 3 | 4 | 5 | 6 | 7 | 8 | 9 |
|------------------------------|---------------------|---------------------|----|----|------|------|----|------|----|------|------|------|
| | | | °C | °C | °C | °C | °C | °C | °C | °C | °C | °C |
| | 65°C | 16°C | 65 | 65 | 63,5 | 60,5 | 57 | 53,5 | 49 | 44,5 | 39 | 34,5 |
| | 81°C | 16°C | 81 | 81 | 78,5 | 73 | 69 | 63,5 | 56 | 49 | 42,5 | 36 |



| Pressure P bar | Pressure 0,5 | Pressure MAX. 10 | Pressure 5 | Pressure 3 bar |
|------------------------|------------------------|---------------------|-------------------|---------------------------------|
| Temperature T °C | Temperature MAX. 80 | Temperature 65 | Temperature 40 | Flow rate Q l/min 20,5 |